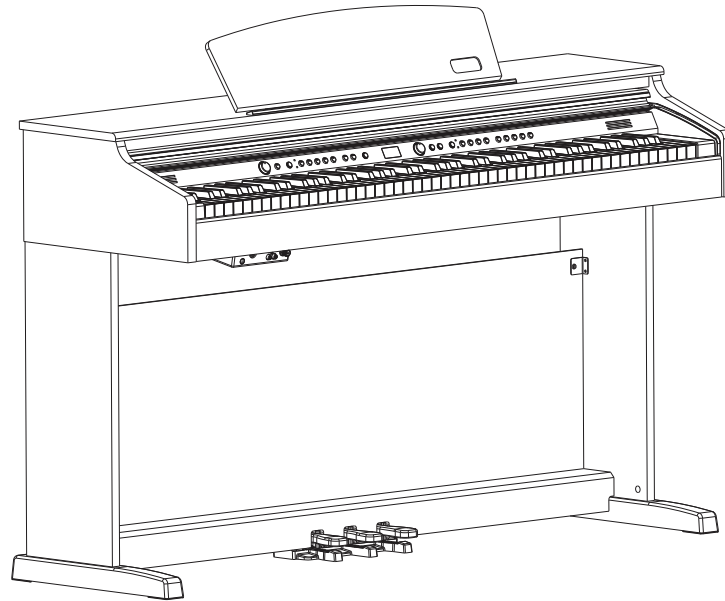


ASSEMBLY GUIDE

Dp - 10e Home Digital Piano



EASY ASSEMBLY GUIDE

If You Have Any Questions Or Problems
Please Call Our Toll Free Helpline:

888-998-9848

Do Not Return To The Store

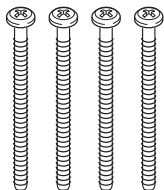
artesia

Unboxing Your Piano.

What's Included



Cylindrical Nuts (A) x 4



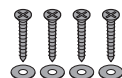
Foot Bolts (B) x 4



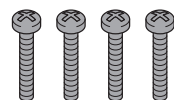
Piano Body Bolts (C) x 2



Back Panel Bolts (D) x 2



Back Panel Screws (E) x 4



Pedal Board Bolts (F) x 4



Plastic Caps (G) x 4



Screwdriver

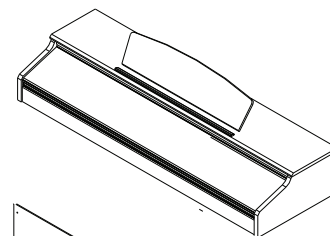
NOT Pictured:

USB Cable

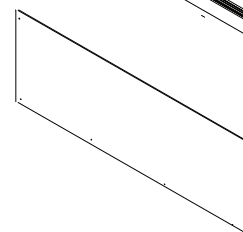
Audio Connection Cable

Power Adapter

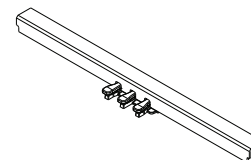
Piano Body



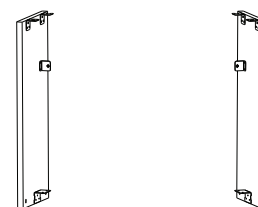
Back Panel



Pedal Board



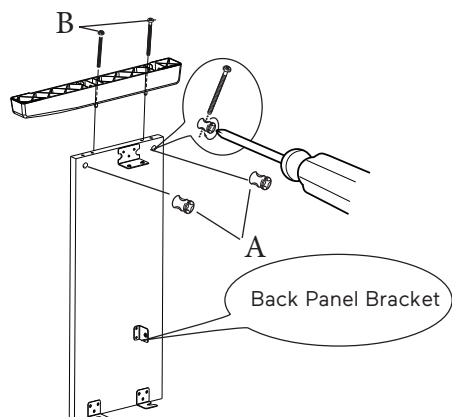
Legs (2)



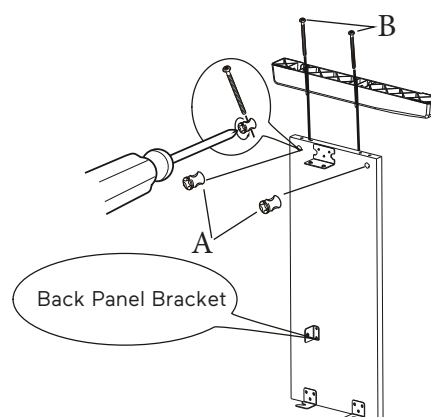
Feet (2)



1. Assembling the Stand Legs.

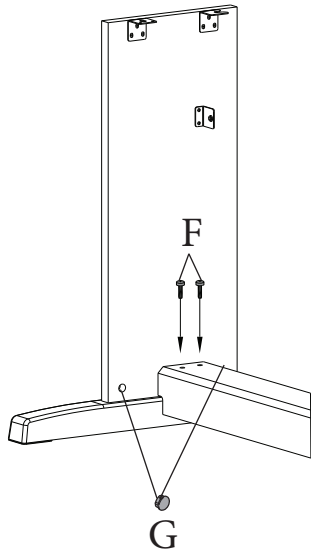


Place the four Cylindrical Nuts (A) into the holes in the Stand Legs, with the screwdriver slot facing out. Use a screwdriver to align the threads in the nuts with the openings on the bottom of the Stand Legs.

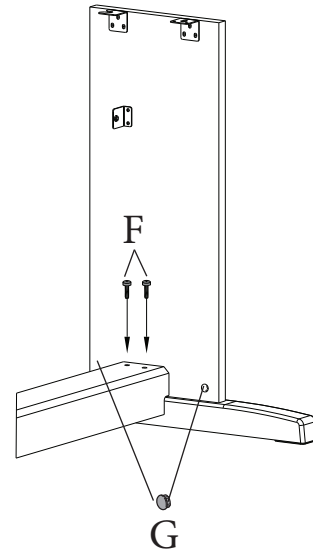


Place the dowells in the feet into the appropriate holes in the bottom of the Stand Legs. Make sure that the feet are facing away from the back panel bracket as shown below. Thread two Foot Bolts (B) through the foot and into the cylindrical washers, rotating the washer to align if needed. Firmly tighten & repeat for the other side.

2. Attaching the Pedal Board.

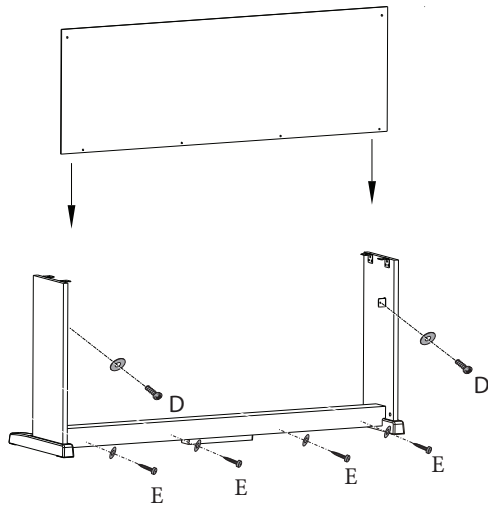


Starting with the right Stand Leg, align the holes in the Pedal Board with the holes in the Pedal Board Bracket as shown. Make sure that the pedals are facing towards the front of the Stand Legs.

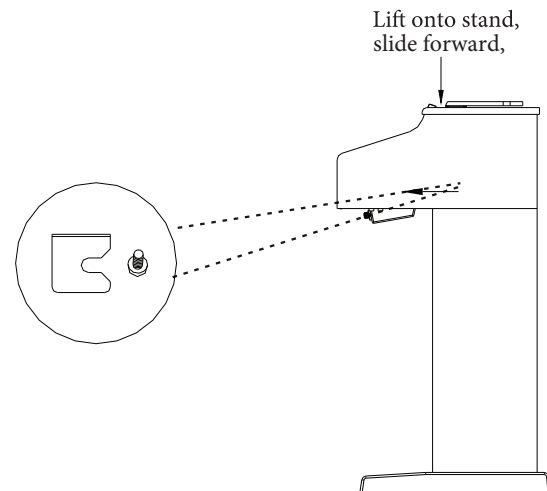


Thread two Pedal Board Bolts (F) through the Pedal Board and into the bracket. Repeat with the left Stand Leg and tighten all bolts fully. Place the four Plastic Caps (G) over the Cylindrical Nut openings.

3. Attaching the Back Panel and Piano Body.



Using two BackPanel Bolts (D) with washers, and four Back Panel Screws (E) with washers, attach the Back Panel to the stand. Please note that the pedal board is not predrilled for the Back Panel screws, and they must be driven in manually.



With help from another person, lift the piano onto the stand and slide forwards, pushing the guide rods on the bottom of the piano into the slots on the Stand Legs, as shown below.

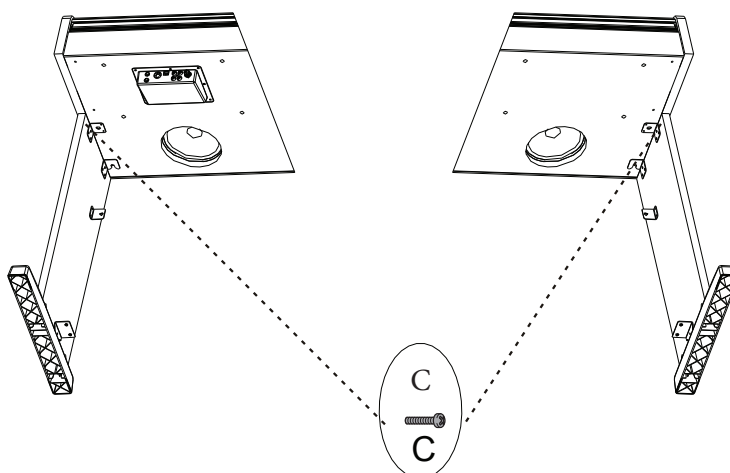


PLEASE NOTE

When lifting the piano onto its stand, be careful not to catch/trap hands or fingers.

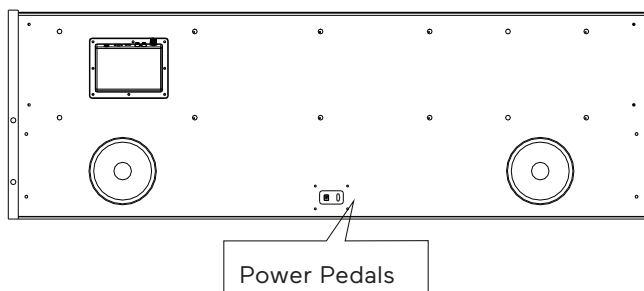
4. Securing the Piano Body.

Connectors on the bottom of the piano as shown.



Finish attaching the piano to the stand by using the two Piano Body Bolts (C) to attach the bottom of the piano to its stand.

5. Connecting the Pedal Cable & Power Supply.



Bottom Rear of the Piano.

Attach the DC Power Cord and Pedal Cable into their connectors on the bottom of the piano as shown.

If you have any questions about your piano please contact us toll free at:

888-998-9848

artesia

Virgin (VMI) is the Parent Company of Artesia Pianos
Virgin Musical Instrument Company
P.O. Box 2908
LA MESA, CA 91943
info@virginmusicalinstruments.com
www.virginmi.com